



water, sewage and sludge technology
pumps for life ...

An ISO 9001:2008 certified company by 

DEEP BLUE SERIES - H SERIES Sewage and Trash Pumps

PERFORMANCE CURVES



DBH 80-280



DBH 100-280



DBH 150-318

INDRA HYDRO TECH PUMPS PVT. LTD.

316, 1st Floor, 8th Cross, 4th Phase, Peenya Industrial Area, Bengaluru - 560 058, Karnataka, India
Tel.: +91 80 2836 2916, Fax: +91 80 2836 3048, Email: contact@ihpindia.in, www.ihpindia.in

DEEP BLUE SERIES - H SERIES PERFORMANCE CURVES

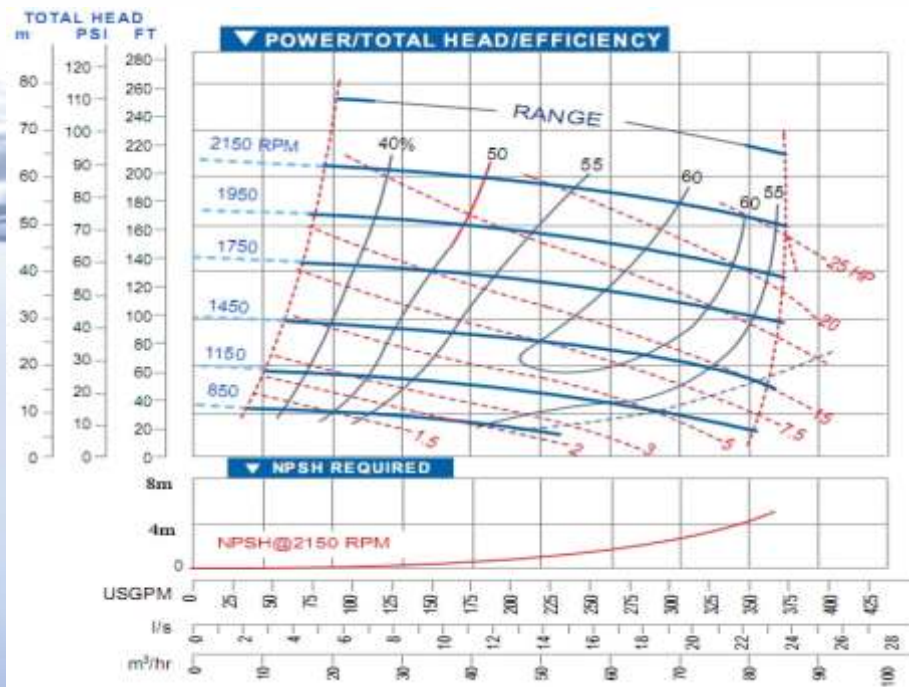
DBH 80-280



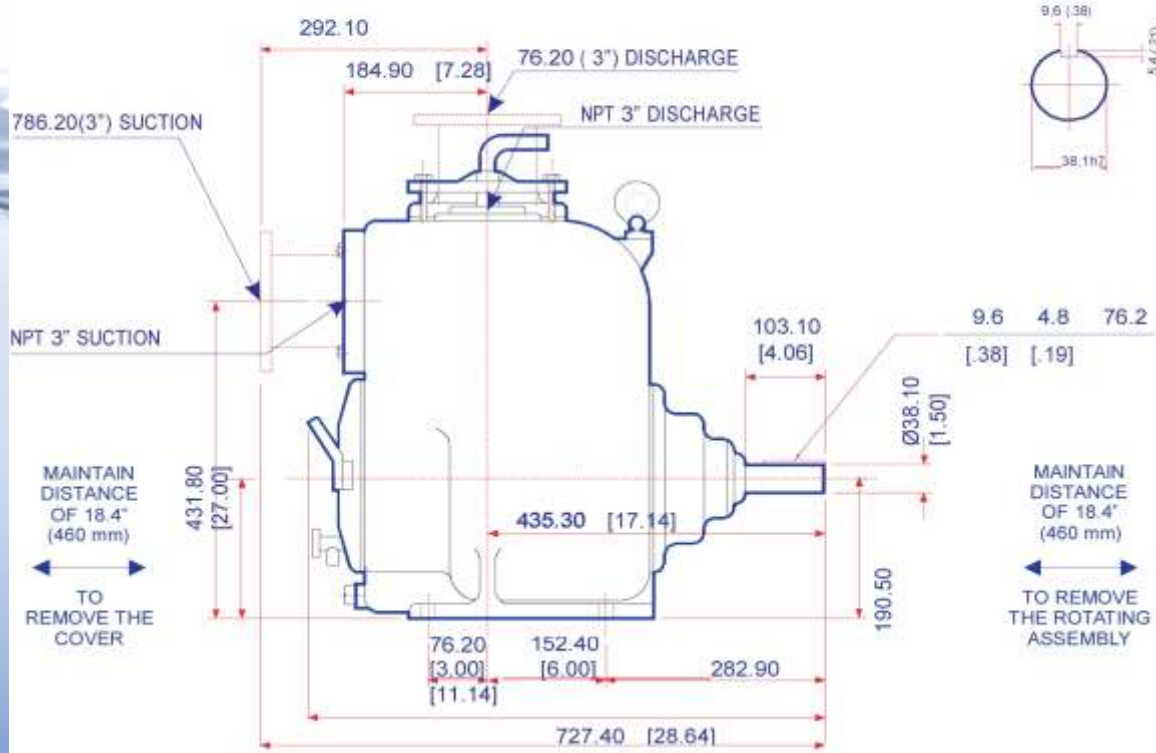
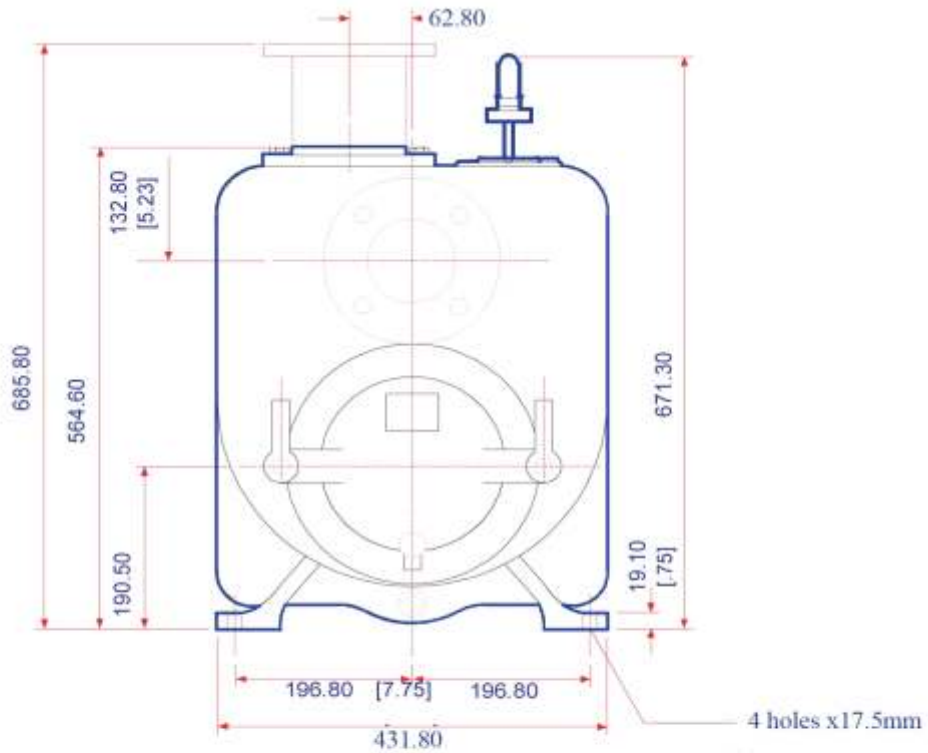
PERFORMANCE CURVES DBH 80-280

Performance curves are based on a kinematic viscosity value of 1 mm²/s and a density of 1000 Kg/m³ at 20°C.

PERFORMANCE CURVE 3" X 3"



PUMP DIMENSIONS DBH 80-280



DEEP BLUE SERIES - H SERIES PERFORMANCE CURVES

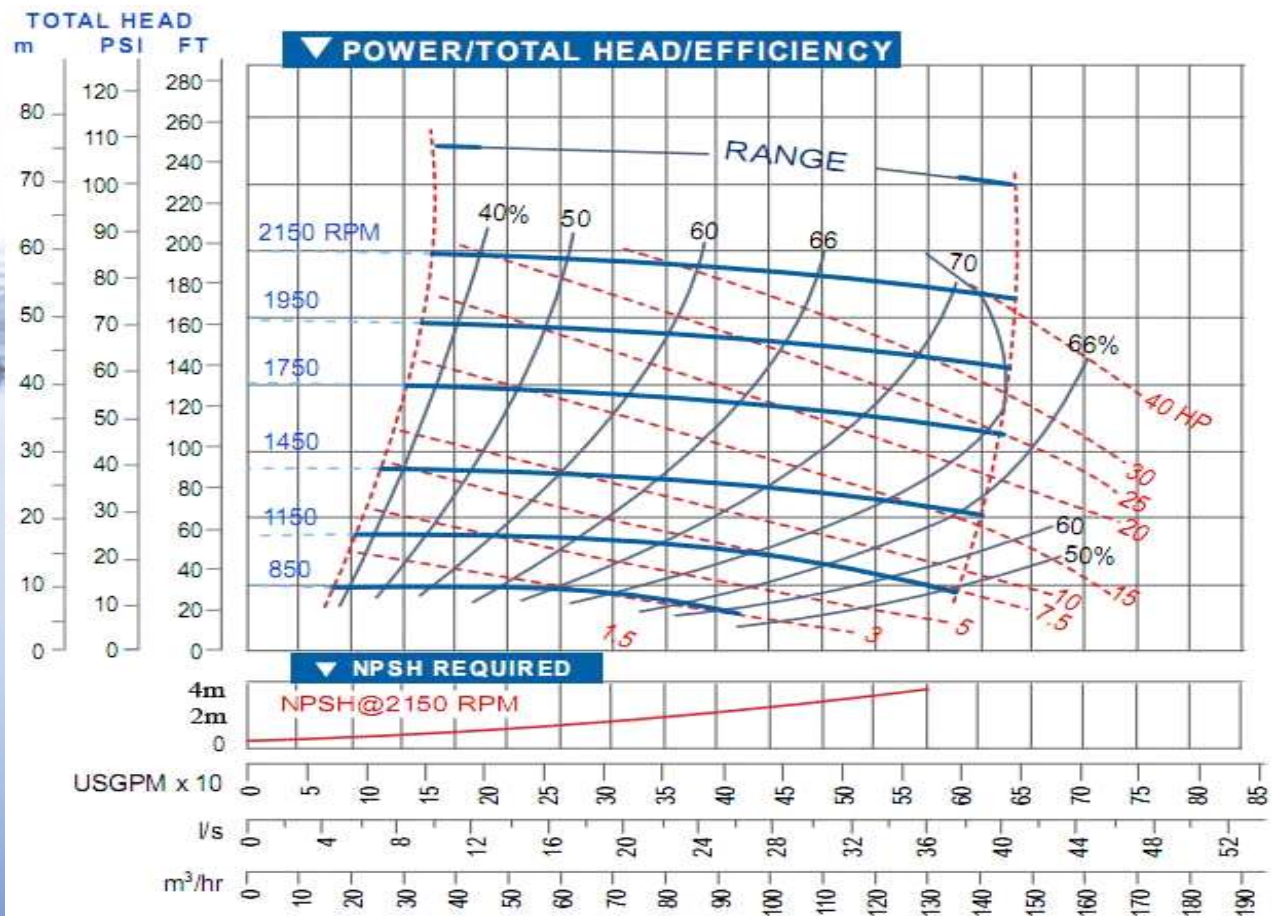
DB 100-280



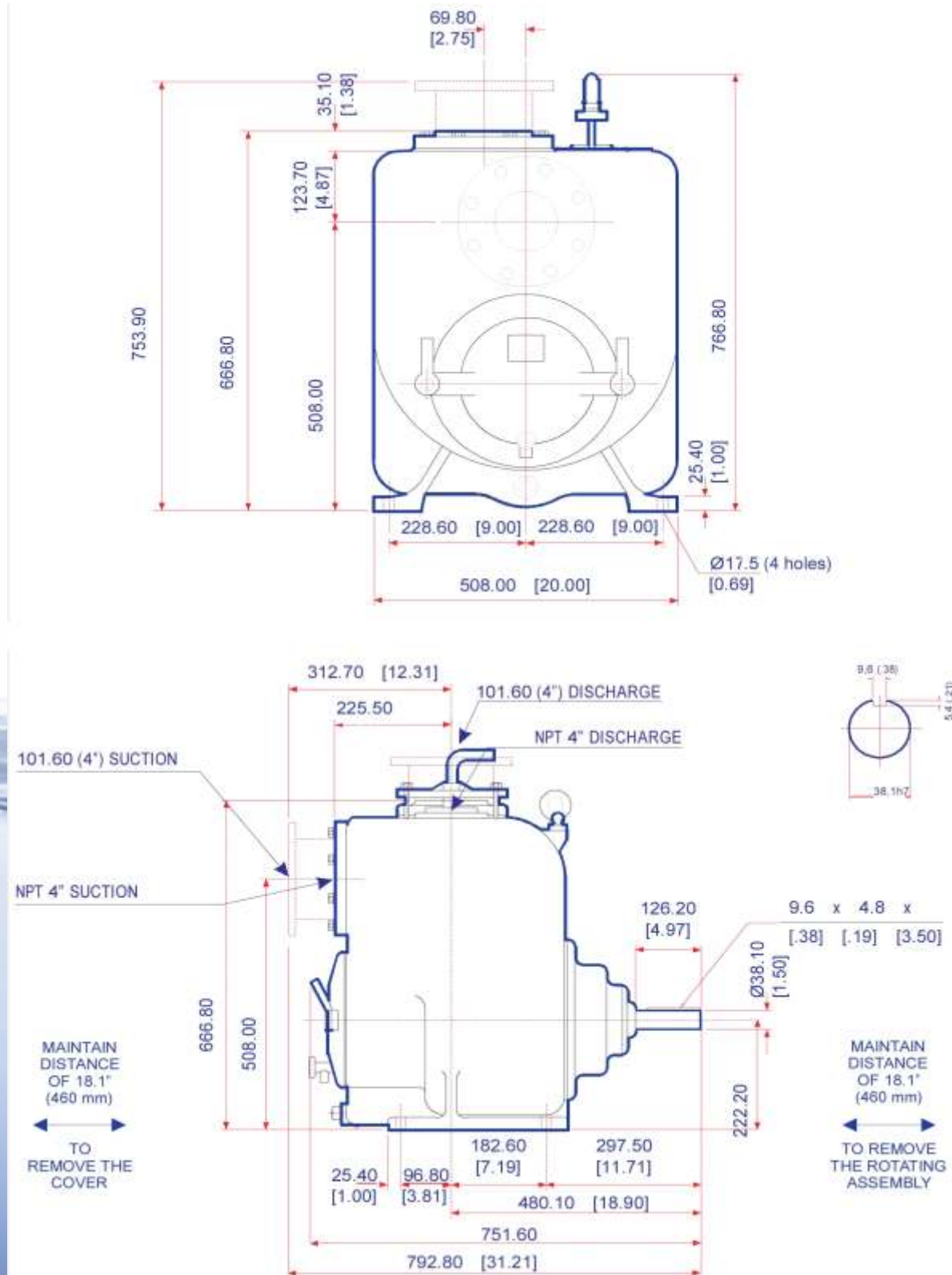
PERFORMANCE CURVES DBH 100-280

Performance curves are based on a kinematic viscosity value of 1 mm²/s and a density of 1000 Kg/m³ at 20°C

PERFORMANCE CURVE 4" X 4"



PUMP DIMENSIONS DB 100-280



DEEP BLUE SERIES - H SERIES PERFORMANCE CURVES

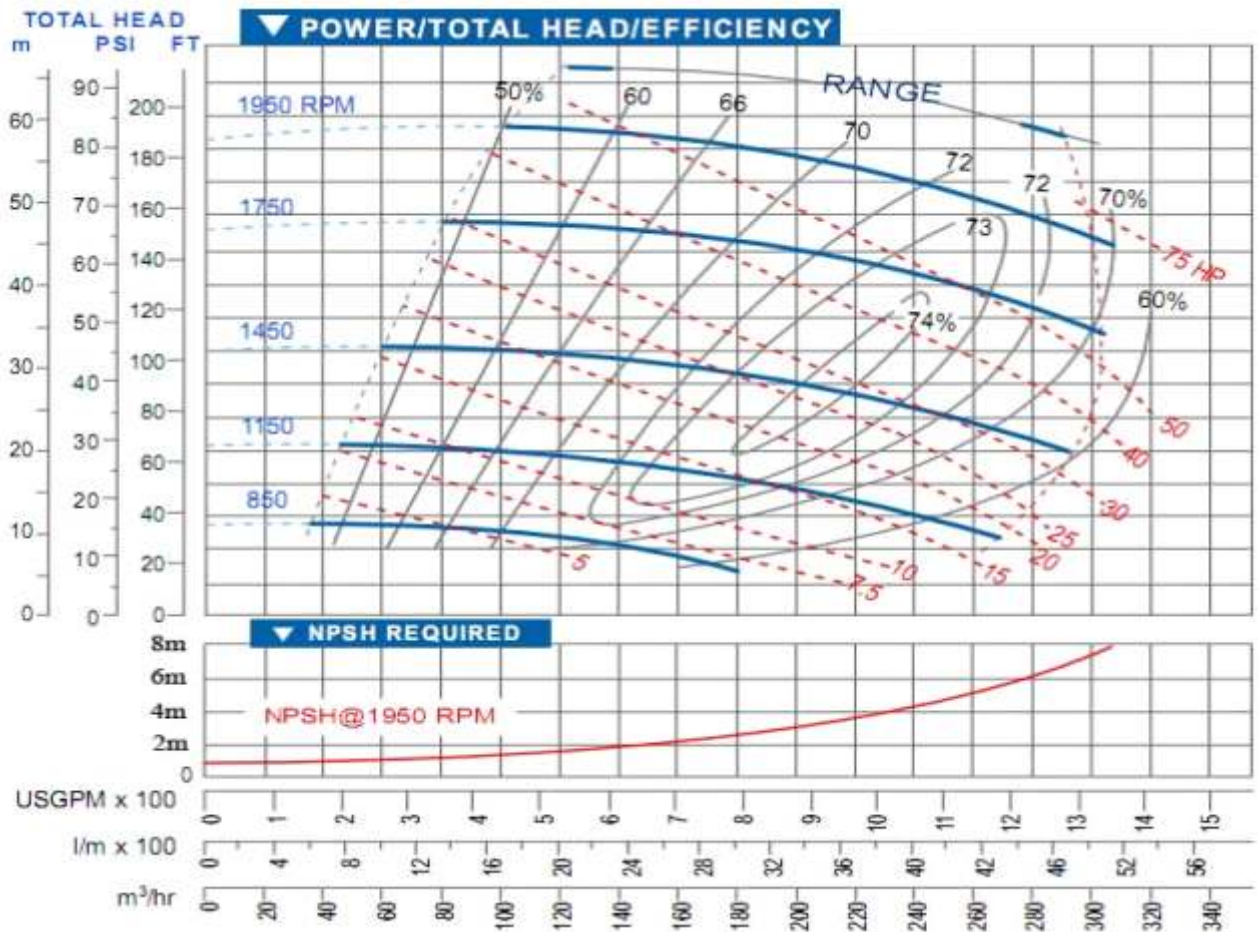
DB 100-248



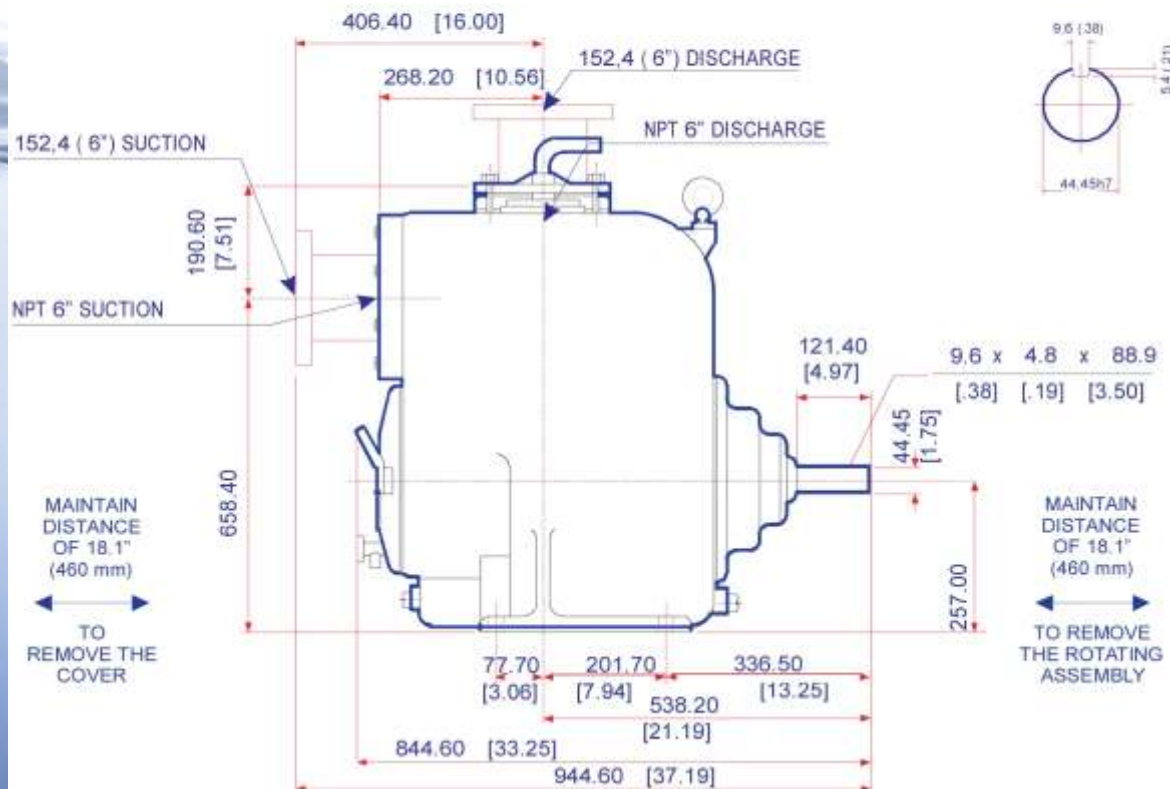
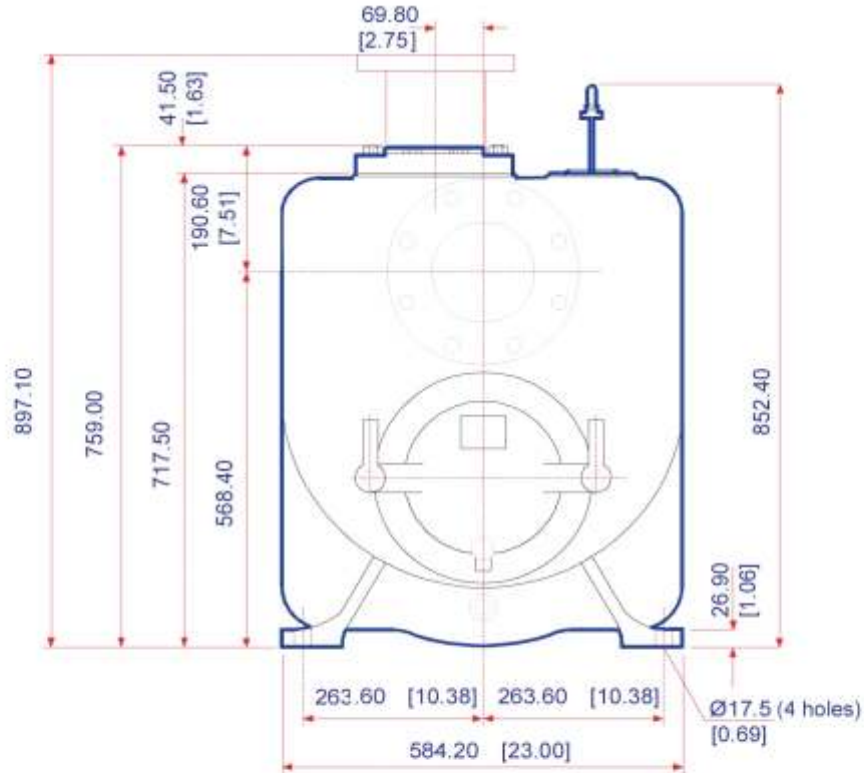
PERFORMANCE CURVES DB 150-318

Performance curves are based on a kinematic viscosity value of 1 mm²/s and a density of 1000 Kg/m³ at 20°C.

PERFORMANCE CURVE 4" X 4"



PUMP DIMENSIONS DB 150-318





water, sewage and sludge technology
pumps for life ...

An ISO 9001:2008 certified company by 



INDRA HYDRO TECH PUMPS PVT. LTD.

316, 1st Floor, 8th Cross, 4th Phase
Peenya Industrial Area
Bengaluru - 560 058
Karnataka, India
Tel.: +91 80 2836 2916
Fax: +91 80 2836 3048
Email: contact@ihpindia.in



www.ihpindia.in